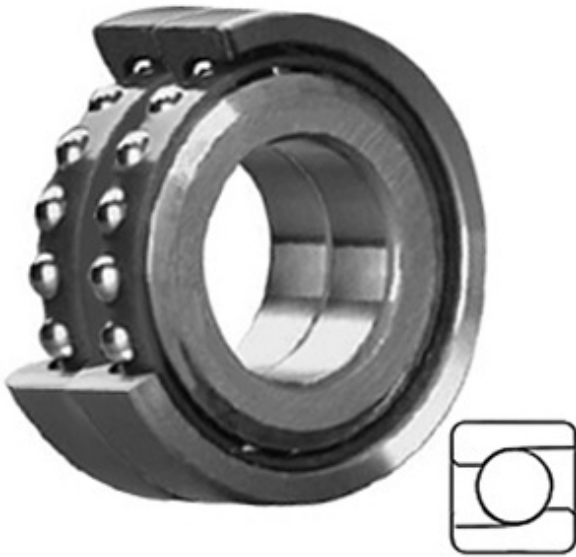




BEARINGS TRAINING INDUSTRY



BSA 206 C/DFA Bearing 2D drawings and 3D CAD models

1.181 Inch | 30 Millimeter x 2.441 Inch | 62
Millimeter x 1.26 Inch | 32 Millimeter SKF BSA 206
C/DFA Precision Ball Bearings

Bearing No. BSA 206 C/DFA

Category	Precision Ball Bearings
Inventory	0.0
Manufacturer Name	SKF
Minimum Buy Quantity	N/A
Weight	0.464
EAN	7316570234121
Product Group	B04270
Enclosure	Open
Precision Class	ABEC 7 ISO P4
Material - Ball	Steel
Number of Bearings	2 (1 Pair)
Contact Angle	62 Degree
Preload	Light
Raceway Style	1 Rib Inner Ring and Outer Ring
Cage Material	Polyamide
Rolling Element	Ball Bearing
Mounting Arrangement	Duplex-Face to Face
Flush Ground	Yes
Inch - Metric	Metric
Other Features	Single Row Angular Contact Thrust Bearing Super Precision Single Direction Modified Internal Design
Long Description	30MM Bore; 62MM



BEARINGS TRAINING INDUSTRY

	Outside Diameter; 32MM Width; Open Enclosure; ABEC 7 ISO P4 Precision; Steel Ball Material; 2 (1 Pair) Bearings; 62 Degree Contact Angle; Polyamide Cage Material; 1 Rib Inner Ring an
Category	Precision Ball Bearings
UNSPSC	31171531
Harmonized Tariff Code	8482.10.50.28
Noun	Bearing
Keyword String	Angular Contact Ball
Manufacturer URL	http://www.skf.com
Manufacturer Item Number	BSA 206 C/DFA
Weight / LBS	1.023
d	1.181 Inch 30 Millimeter
B	1.26 Inch 32 Millimeter
D	2.441 Inch 62 Millimeter